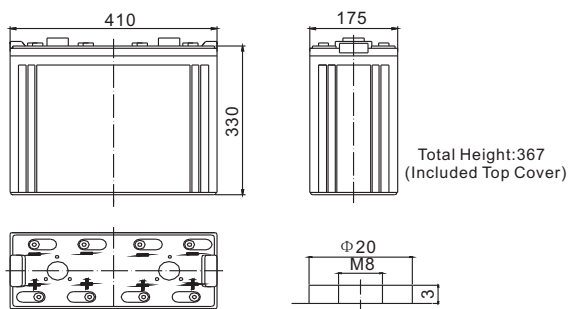


Standard Series CFP2800_{2V800Ah}

FirstPower®

Dimension(mm)



T10
Terminal



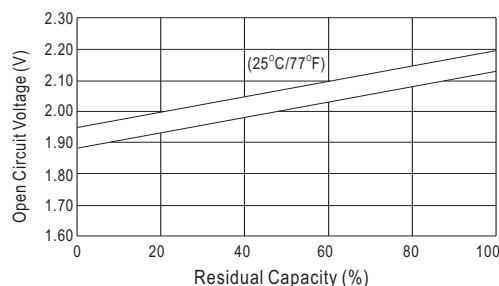
Specification

Nominal Voltage		2 V
Capacity(10HR, 25°C)		800 Ah
Dimension	Length	410mm (16.1inch)
	Width	175mm (6.9inch)
	Height	330mm (13.0inch)
	Total Height	367mm (14.4inch)
Approx. Weight		54kg (118.8lbs)

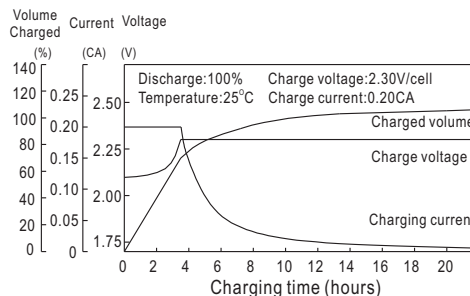
Characteristics

Capacity 20°C (68□) To 1.70V/Cell	20 hour rate	854Ah
	10 hour rate	800Ah
	5 hour rate	740Ah
	1 hour rate	499Ah
	15 min rate	259Ah
Internal resistance(Fully charged, 25°C)		Approx. 0.24m Ω
Capacity affected by temperature (10HR)	40°C	102%
	25°C	100%
	0°C	85%
	-15°C	65%
Self-discharge (25°C)	3 month	Remaining Capacity: 91%
	6 month	Remaining Capacity: 82%
	12 month	Remaining Capacity: 65%
Nominal operating temperature		25°C ±3°C(77°F ±5°F)
Operating temperature range		-15°C~50°C(5°F~122°F)
Float charging voltage(25°C)		2.25 to 2.30V
Cyclic charging voltage(25°C)		2.42 to 2.48V
Maximum charging current		160A
Terminal material		Copper
Maximum discharge current		5500A(5 Sec.)

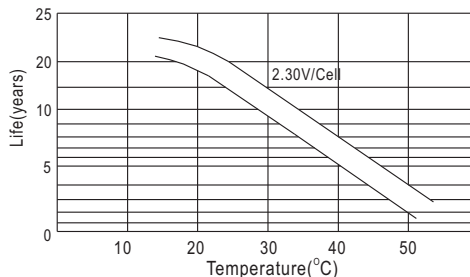
The Relationship for Open Circuit Voltage and Residual Capacity (25°C)



Charging Characteristics(25°C)



Temperature Affects On Floating Life



Constant Current Discharge Characteristics (A, 25°C)

F.V/TIME	5min	10min	15min	30min	60min	3h	5h	10h	20h
1.60V	2000	1320	1080	720	520	211	150	81.2	43.0
1.70V	1900	1254	1037	691	499	208	148	80.5	42.7
1.80V	1786	1179	985	657	474	204	145	80.0	42.4

Constant Power Discharge Characteristics (Watt, 25°C)

F.V/TIME	5min	10min	15min	30min	60min	3h	5h	10h	20h
1.60V	3500	2376	1976	1346	988	414	296	162	86.1
1.70V	3325	2257	1898	1292	948	408	292	160	85.3
1.80V	3126	2122	1803	1229	901	400	286	160	84.8