

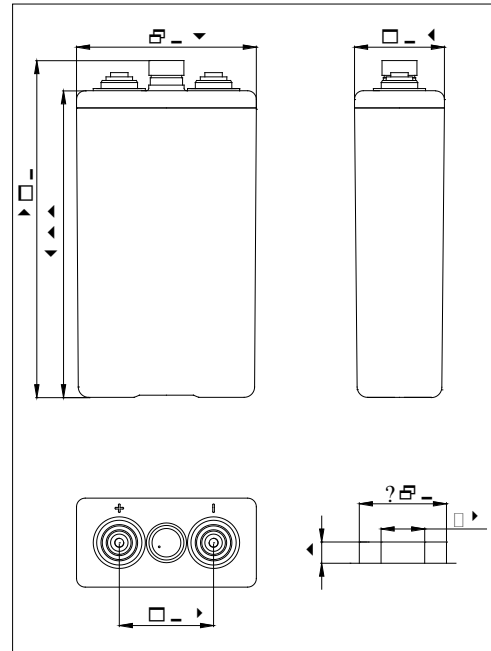
**CFPS2200 (2V200Ah)**

**Specifications**

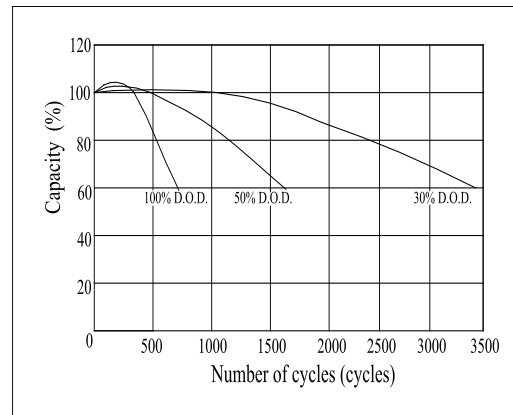
Nominal Voltage		2 V
Capacity(10HR, 25°C)		200 Ah
Dimension	Length	206mm (8.11inch)
	Width	103mm (4.06inch)
	Height	355mm (13.97inch)
	Total Height	410mm (16.14inch)
Battery Weight	Dry	Approx. 13kg
	Wet	Approx. 17kg
Acid Weight		Approx. 4kg
Acid Density(25°C)		1.24 g/cm <sup>3</sup>
Capacity affected by temperature (10HR)	40°C	102%
	25°C	100%
	0°C	85%
	-15°C	65%
Nominal operating temperature		25±3°C(77±5°F)
Operating temperature range		-20 ~ 50°C (-4 ~ 122°F )
Float charging voltage(25°C)		2.20 to 2.24V
Cyclic charging voltage(25°C)		2.35 to 2.40V
Maximum charging current		50A
Terminal material		Copper
Number of Terminal		1 pair
Maximum discharge current		400A(5 sec.)

- Tubular Positive Plate;
- Flooded Battery;
- Transparent Container.

**Dimensions**



**Cycle Life(25°C)**



Note: Designed floating life is more than 20 years at 20°C.

**Constant Current Discharge Characteristics (A, 25°C)**

F.V/TIME	1min	5min	10min	15min	30min	45min	60min	2h	3h	5h	8h	10h	20h
1.60V	280	240	234	212	164	120	112	67.0	52.8	36.5	23.8	20.3	11.2
1.65V	266	233	227	208	161	118	110	66.6	52.5	36.3	23.6	20.3	11.1
1.70V	255	223	218	201	156	114	106	66.0	52.0	36.2	23.5	20.2	11.1
1.75V	235	214	208	197	152	111	104	65.5	51.6	36.0	23.4	20.1	11.1
1.80V	221	202	197	189	146	107	100	64.7	51.0	35.6	23.2	20.0	11.0
1.85V	210	190	185	183	142	104	96.9	63.8	50.2	35.1	22.8	19.8	10.9

**Constant Power Discharge Characteristics (Watt, 25°C)**

F.V/TIME	1min	5min	10min	15min	30min	45min	60min	2h	3h	5h	8h	10h	20h
1.60V	448	420	421	388	307	210	213	129	103	72.0	47.0	40.4	22.3
1.65V	426	407	409	380	301	206	209	129	103	71.6	46.7	40.3	22.3
1.70V	408	391	392	369	291	200	202	127	102	71.3	46.6	40.2	22.2

**NorBat tubular single cell****OPzS Series**

1.75V	376	374	375	360	284	195	197	126	101	70.9	46.3	40.0	22.1
1.80V	354	353	354	346	274	188	190	125	99.9	70.2	45.9	39.8	22.0
1.85V	336	332	333	336	265	182	184	123	98.5	69.2	45.2	39.5	21.8