

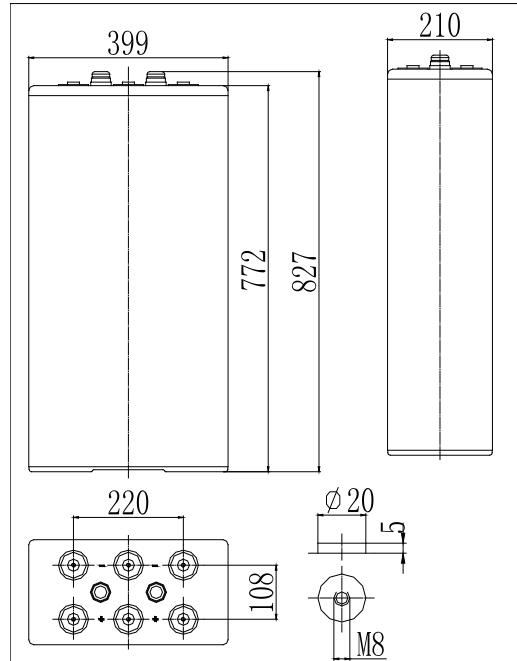
CFPS22000 (2V2000Ah)

Specifications

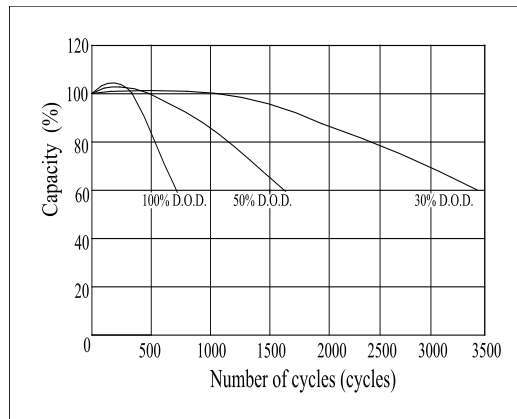
Nominal Voltage		2 V
Capacity(10HR, 25°C)		2000 Ah
Dimension	Length	399mm (15.71inch)
	Width	210mm (8.27inch)
	Height	772mm (30.39inch)
	Total Height	827mm (32.56inch)
Battery Weight	Dry	Approx. 98kg (216.1lbs)
	Wet	Approx. 140kg (308.7lbs)
Acid Weight		Approx. 42kg (92.6lbs)
Acid Density(25°C)		1.24 g/cm ³
Capacity affected by temperature (10HR)	40°C	102%
	25°C	100%
	0°C	85%
	-15°C	65%
Nominal operating temperature		25±3°C(77±5°F)
Operating temperature range		-20 ~ 50°C (-4 ~ 122°F)
Float charging voltage(25°C)		2.20 to 2.24V
Cyclic charging voltage(25°C)		2.35 to 2.40V
Maximum charging current		500A
Terminal material		Copper
Number of Terminal		3 pairs
Maximum discharge current		4000A(5 sec.)

- Tubular Positive Plate;
- Flooded Battery;
- Transparent Container.

Dimensions



Cycle Life(25°C)



Note: Designed floating life is more than 20 years at 20°C.

Constant Current Discharge Characteristics (A, 25°C)

F.V/TIME	1min	5min	10min	15min	30min	45min	60min	2h	3h	5h	8h	10h	20h
1.60V	2800	2400	2340	2120	1640	1200	1120	670	528	365	238	203	112
1.65V	2660	2328	2270	2078	1607	1176	1098	666	525	363	236	203	111
1.70V	2548	2232	2176	2014	1558	1140	1064	660	520	362	235	202	111
1.75V	2352	2136	2083	1965	1520	1112	1038	655	516	360	234	201	111
1.80V	2212	2016	1966	1893	1465	1072	1000	647	510	356	232	200	110
1.85V	2100	1896	1849	1834	1419	1038	969	638	502	351	228	198	109

Constant Power Discharge Characteristics (Watt, 25°C)

F.V/TIME	1min	5min	10min	15min	30min	45min	60min	2h	3h	5h	8h	10h	20h
1.60V	4480	4200	4212	3880	3067	2100	2128	1293	1034	720	470	404	223
1.65V	4256	4074	4086	3802	3005	2058	2085	1285	1028	716	467	403	223

NorBat tubular single cell**OPzS Series**

1.70V	4077	3906	3917	3686	2913	1995	2022	1274	1019	713	466	402	222
1.75V	3763	3738	3749	3596	2843	1947	1973	1264	1011	709	463	400	221
1.80V	3539	3528	3538	3464	2739	1875	1900	1248	999	702	459	398	220
1.85V	3360	3318	3327	3356	2653	1817	1841	1230	985	692	452	395	218