

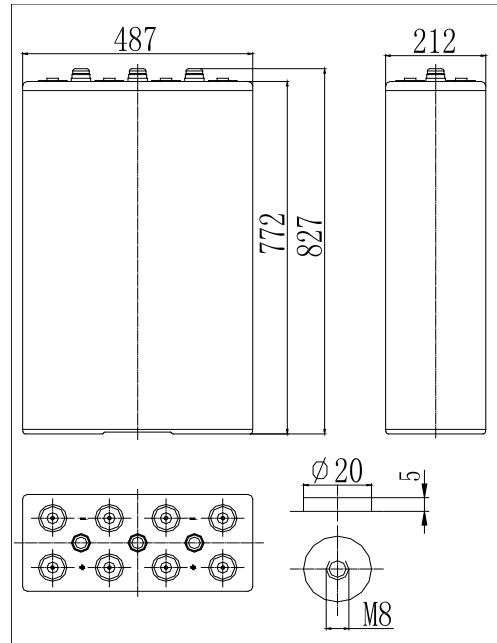
CFPS22500 (2V2500Ah)

Specifications

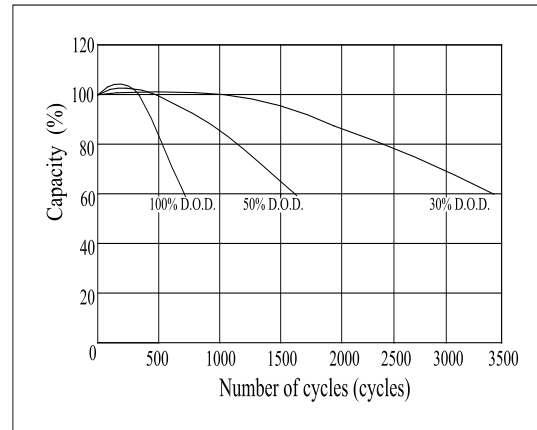
Nominal Voltage		2 V
Capacity(10HR, 25°C)		2500 Ah
Dimension	Length	487mm (19.2inch)
	Width	212mm (8.35inch)
	Height	772mm (30.39inch)
	Total Height	827mm (32.56inch)
Battery Weight	Dry	Approx. 131kg
	Wet	Approx. 184kg
Acid Weight		Approx. 53kg
Acid Density(25°C)		1.24 g/cm ³
Capacity affected by temperature (10HR)	40°C	102%
	25°C	100%
	0°C	85%
	-15°C	65%
Nominal operating temperature		25±3°C(77±5°F)
Operating temperature range		-20 ~ 50°C (-4 ~ 122°F)
Float charging voltage(25°C)		2.20 to 2.24V
Cyclic charging voltage(25°C)		2.35 to 2.40V
Maximum charging current		625A
Terminal material		Copper
Number of Terminal		4 pairs
Maximum discharge current		5000A(5 sec.)

- Tubular Positive Plate;
- Flooded Battery;
- Transparent Container.

Dimensions



Cycle Life(25°C)



Note: Designed floating life is more than 20 years at 20°C.

Constant Current Discharge Characteristics (A, 25°C)

F.V/TIME	1min	5min	10min	15min	30min	45min	60min	2h	3h	5h	8h	10h	20h
1.60V	3500	3000	2925	2650	2050	1500	1400	837	660	457	297	254	140
1.65V	3325	2910	2837	2597	2009	1470	1372	832	656	454	295	253	139
1.70V	3185	2790	2720	2518	1948	1425	1330	825	650	453	294	253	139
1.75V	2940	2670	2603	2457	1900	1391	1298	818	645	450	293	252	138
1.80V	2765	2520	2457	2366	1831	1340	1250	809	637	446	290	250	138
1.85V	2625	2370	2311	2292	1773	1298	1211	797	628	439	285	248	136

Constant Power Discharge Characteristics (Watt, 25°C)

F.V/TIME	1min	5min	10min	15min	30min	45min	60min	2h	3h	5h	8h	10h	20h
1.60V	5600	5250	5265	4850	3834	2625	2660	1616	1293	900	588	505	279
1.65V	5320	5093	5107	4753	3757	2573	2607	1607	1285	894	584	504	279

NorBat tubular single cell**OPzS Series**

1.70V	5096	4883	4896	4607	3642	2494	2527	1592	1274	892	583	502	278
1.75V	4704	4673	4686	4495	3554	2433	2466	1580	1264	887	579	500	277
1.80V	4424	4410	4423	4331	3423	2344	2375	1560	1249	878	573	498	275
1.85V	4200	4148	4159	4195	3316	2271	2301	1538	1231	865	565	494	273