

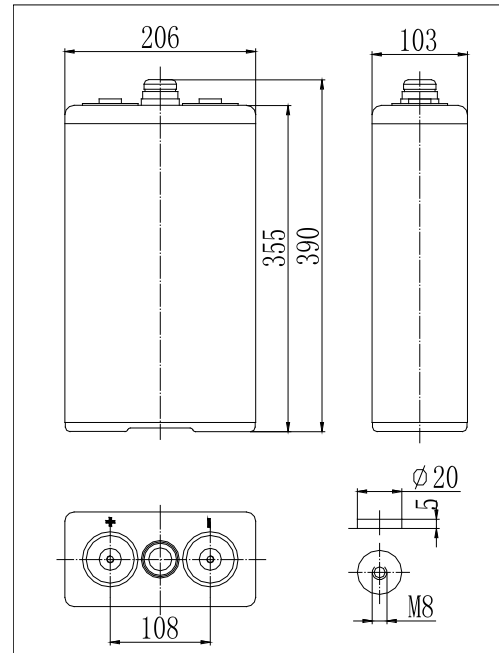
CFPV2200 (2V200Ah)

Specifications

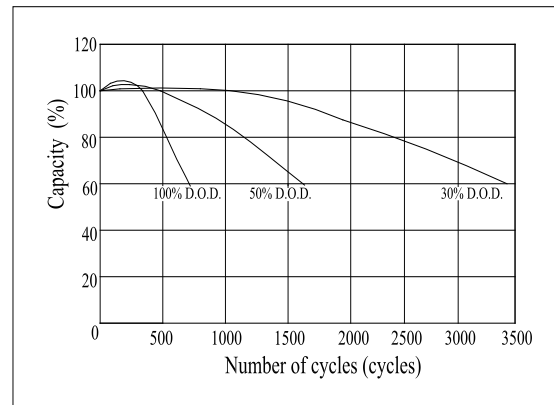
Nominal Voltage		2 V
Capacity(10HR, 25°C)		200 Ah
Dimension	Length	206mm (8.11inch)
	Width	103mm (4.06inch)
	Height	355mm (13.98inch)
	Total Height	390mm (15.35inch)
Approx. Weight		18kg (39.7lbs)
Internal resistance (Fully charged, 25°C)		Approx. 0.9mΩ
Capacity affected by temperature (10HR)	40°C	102%
	25°C	100%
	0°C	85%
	-15°C	65%
Self-discharge (25°C)	3 month	Remaining Capacity: 93%
	6 month	Remaining Capacity: 85%
	12 month	Remaining Capacity: 72%
Nominal operating temperature		25±3°C(77±5°F)
Operating temperature range		-20 ~ 50°C (-4 ~ 122°F)
Float charging voltage(25°C)		2.23 to 2.25V
Cyclic charging voltage(25°C)		2.30 to 2.35V
Maximum charging current		40A
Terminal material		Copper
Maximum discharge current		800A(5 sec.)

- ◆ Gelled electrolyte technology;
- ◆ Tubular Positive Plate;
- ◆ Recognized by UL & CE;
- ◆ ABS container.

Dimensions



Cycle Life(25°C)



Note: Floating life at 20°C designed for more than 20 years.

Constant Current Discharge Characteristics (A, 25°C)

F.V/TIME	1min	5min	10min	15min	30min	45min	60min	2h	3h	5h	8h	10h	20h
1.60V	400	300	240	220	170	139	120	69.0	50.8	34.5	23.3	20.3	10.6
1.65V	388	294	235	217	167	137	118	68.6	50.5	34.3	23.2	20.3	10.5
1.70V	372	285	228	211	163	133	115	68.0	50.0	34.0	23.1	20.2	10.5
1.75V	356	278	222	207	160	130	113	67.5	49.6	33.7	23.0	20.1	10.4
1.80V	336	268	214	201	155	126	109	66.6	49.0	33.3	22.8	20.0	10.4
1.85V	316	260	208	195	151	123	106	65.7	48.3	32.8	22.4	19.8	10.3

Constant Power Discharge Characteristics (Watt, 25°C)

F.V/TIME	1min	5min	10min	15min	30min	45min	60min	2h	3h	5h	8h	10h	20h
1.60V	640	525	432	403	318	243	228	133	99.5	68.0	46.2	40.4	21.1
1.65V	621	515	423	397	313	239	225	132	98.9	67.6	45.9	40.3	21.1

NorBat CFPV-GEL single cell**OPzV Series**

1.70V	595	499	410	386	305	233	219	131	98.0	67.0	45.8	40.2	20.9
1.75V	570	487	400	379	299	228	215	130	97.2	66.4	45.5	40.0	20.9
1.80V	538	469	386	367	290	221	208	129	96.0	65.6	45.1	39.8	20.8
1.85V	506	454	374	357	282	215	202	127	94.7	64.7	44.4	39.5	20.6