

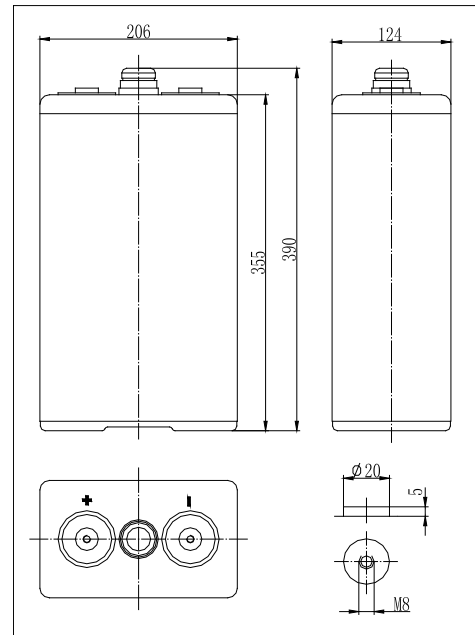
**CFPV2250 (2V250Ah)**

**Specifications**

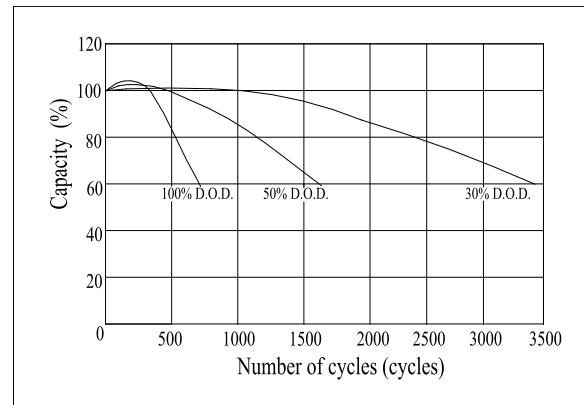
Nominal Voltage		2 V
Capacity(10HR, 25°C)		250 Ah
Dimension	Length	206mm (8.11inch)
	Width	124mm (4.88inch)
	Height	355mm (13.98inch)
	Total Height	390mm (15.35inch)
Approx. Weight		21.5kg (47.4lbs)
Internal resistance (Fully charged, 25°C)		Approx. 0.80mΩ
Capacity affected by temperature (10HR)	40°C	102%
	25°C	100%
	0°C	85%
	-15°C	65%
Self-discharge (25°C)	3 month	Remaining Capacity: 93%
	6 month	Remaining Capacity: 85%
	12 month	Remaining Capacity: 72%
Nominal operating temperature		25±3°C(77±5°F)
Operating temperature range		-20 ~ 50°C (-4 ~ 122°F )
Float charging voltage(25°C)		2.23 to 2.25V
Cyclic charging voltage(25°C)		2.30 to 2.35V
Maximum charging current		50A
Terminal material		Copper
Maximum discharge current		1000A(5 sec.)

- ♦ Gelled electrolyte technology;
- ♦ Tubular Positive Plate;
- ♦ Recognized by UL & CE;
- ♦ ABS container.

**Dimensions**



**Cycle Life(25°C)**



Note: Floating life at 20°C designed for more than 20 years.

**Constant Current Discharge Characteristics (A, 25°C)**

F.V/TIME	1min	5min	10min	15min	30min	45min	60min	2h	3h	5h	8h	10h	20h
1.60V	500	375	300	275	213	173	150	86.3	63.4	43.1	29.2	25.4	13.2
1.65V	485	368	294	271	209	171	148	85.8	63.1	42.9	29.0	25.3	13.2
1.70V	465	356	285	264	204	166	144	85.0	62.5	42.5	28.9	25.3	13.1
1.75V	445	348	278	259	200	163	141	84.3	62.0	42.2	28.8	25.2	13.1
1.80V	420	335	268	251	194	158	137	83.3	61.3	41.7	28.5	25.0	13.0
1.85V	395	324	260	244	188	153	133	82.1	60.4	41.1	28.1	24.8	12.9

**Constant Power Discharge Characteristics (Watt, 25°C)**

F.V/TIME	1min	5min	10min	15min	30min	45min	60min	2h	3h	5h	8h	10h	20h
1.60V	800	656	540	503	397	303	285	167	124	85.0	57.8	50.5	26.4
1.65V	776	643	529	496	391	299	281	166	124	84.5	57.4	50.4	26.3

**NorBat CFPV-GEL single cell****OPzV Series**

1.70V	744	623	513	483	381	291	274	164	123	83.7	57.3	50.2	26.2
1.75V	712	608	501	474	374	285	268	163	122	83.1	56.9	50.0	26.1
1.80V	672	586	482	459	362	277	260	161	120	82.1	56.4	49.8	26.0
1.85V	632	568	467	446	352	269	253	158	118	80.9	55.6	49.4	25.8