

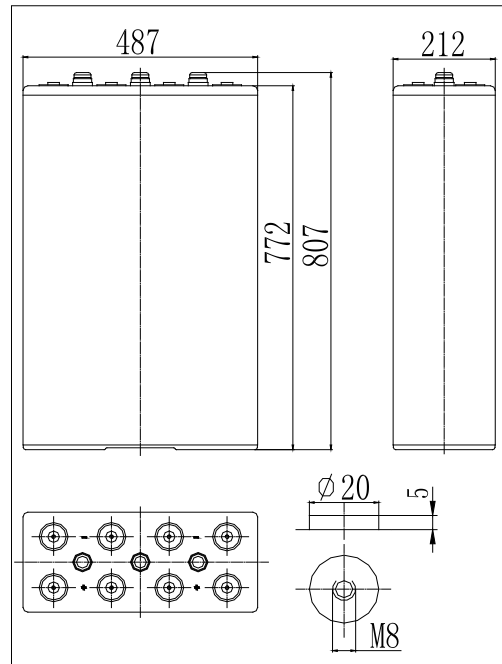
CFPV22500 (2V2500Ah)

Specifications

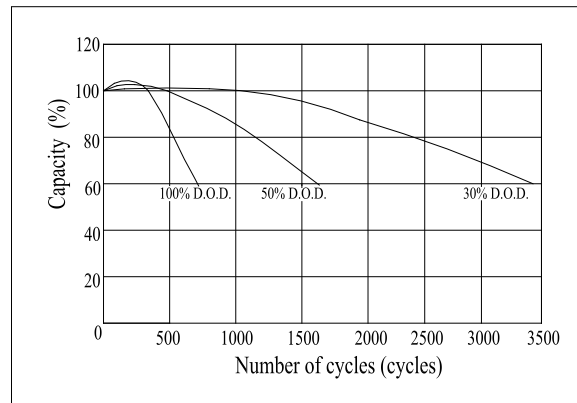
Nominal Voltage		2 V
Capacity(10HR, 25°C)		2500 Ah
Dimension	Length	487mm (19.2inch)
	Width	212mm (8.35inch)
	Height	772mm (30.39inch)
	Total Height	807mm (31.77inch)
Approx. Weight		185kg (407.9lbs)
Internal resistance (Fully charged, 25°C)		Approx. 0.18mΩ
Capacity affected by temperature (10HR)	40°C	102%
	25°C	100%
	0°C	85%
	-15°C	65%
Self-discharge (25°C)	3 month	Remaining Capacity: 93%
	6 month	Remaining Capacity: 85%
	12 month	Remaining Capacity: 72%
Nominal operating temperature		25±3°C(77±5°F)
Operating temperature range		-20 ~ 50°C (-4 ~ 122°F)
Float charging voltage(25°C)		2.23 to 2.25V
Cyclic charging voltage(25°C)		2.30 to 2.35V
Maximum charging current		500A
Terminal material		Copper
Maximum discharge current		10000A(5 sec.)

- ♦ Gelled electrolyte technology;
- ♦ Tubular Positive Plate;
- ♦ Recognized by UL & CE;
- ♦ ABS container.

Dimensions



Cycle Life(25°C)



Note: Floating life at 20°C designed for more than 20 years.

Constant Current Discharge Characteristics (A, 25°C)

F.V/TIME	1min	5min	10min	15min	30min	45min	60min	2h	3h	5h	8h	10h	20h
1.60V	5000	3750	3000	2750	2125	1733	1500	863	634	431	292	254	132
1.65V	4850	3675	2940	2709	2093	1707	1478	858	631	429	290	253	132
1.70V	4650	3563	2850	2640	2040	1663	1440	850	625	425	289	253	131
1.75V	4450	3476	2781	2588	2000	1630	1412	843	620	422	288	252	131
1.80V	4200	3349	2679	2508	1938	1580	1368	833	613	417	285	250	130
1.85V	3950	3244	2595	2437	1883	1535	1329	821	604	411	281	248	129

Constant Power Discharge Characteristics (Watt, 25°C)

F.V/TIME	1min	5min	10min	15min	30min	45min	60min	2h	3h	5h	8h	10h	20h
1.60V	8000	6563	5400	5033	3974	3032	2850	1665	1243	850	578	505	264
1.65V	7760	6431	5292	4957	3914	2986	2807	1655	1236	845	574	504	263

NorBat CFPV-GEL single cell**OPzV Series**

1.70V	7440	6234	5130	4831	3815	2911	2736	1641	1225	837	573	502	262
1.75V	7120	6083	5006	4736	3739	2853	2682	1627	1215	831	569	500	261
1.80V	6720	5860	4822	4590	3624	2765	2599	1608	1201	821	564	498	260
1.85V	6320	5677	4671	4459	3521	2686	2525	1585	1183	809	556	494	258