

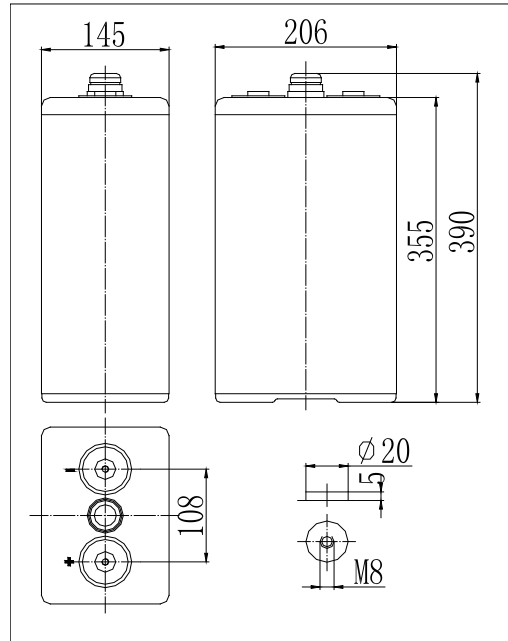
**CFPV2300 (2V300Ah)**

**Specifications**

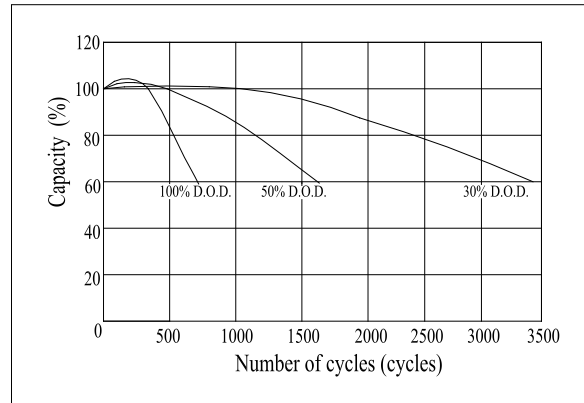
Nominal Voltage		2 V
Capacity(10HR, 25°C)		300 Ah
Dimension	Length	206mm (8.11inch)
	Width	145mm (5.71inch)
	Height	355mm (13.98inch)
	Total Height	390mm (15.35inch)
Approx. Weight		24kg (52.9lbs)
Internal resistance (Fully charged, 25°C)		Approx. 0.70mΩ
Capacity affected by temperature (10HR)	40°C	102%
	25°C	100%
	0°C	85%
	-15°C	65%
Self-discharge (25°C)	3 month	Remaining Capacity: 93%
	6 month	Remaining Capacity: 85%
	12 month	Remaining Capacity: 72%
Nominal operating temperature		25±3°C(77±5°F)
Operating temperature range		-20 ~ 50°C (-4 ~ 122°F )
Float charging voltage(25°C)		2.23 to 2.25V
Cyclic charging voltage(25°C)		2.30 to 2.35V
Maximum charging current		60A
Terminal material		Copper
Maximum discharge current		1200A(5 sec.)

- ◆ Gelled electrolyte technology;
- ◆ Tubular Positive Plate;
- ◆ Recognized by UL & CE;
- ◆ ABS container.

**Dimensions**



**Cycle Life(25°C)**



Note: Floating life at 20°C designed for more than 20 years.

**Constant Current Discharge Characteristics (A, 25°C)**

F.V/TIME	1min	5min	10min	15min	30min	45min	60min	2h	3h	5h	8h	10h	20h
1.60V	600	450	360	330	255	208	180	104	76.1	51.8	35.0	30.5	15.8
1.65V	582	441	353	325	251	205	177	103	75.7	51.5	34.8	30.4	15.8
1.70V	558	428	342	317	245	200	173	102	75.0	51.0	34.7	30.3	15.7
1.75V	534	417	334	311	240	196	169	101	74.4	50.6	34.5	30.2	15.7
1.80V	504	402	321	301	233	190	164	100	73.5	50.0	34.2	30.0	15.6
1.85V	474	389	311	292	226	184	159	98.5	72.5	49.3	33.7	29.8	15.5

**Constant Power Discharge Characteristics (Watt, 25°C)**

F.V/TIME	1min	5min	10min	15min	30min	45min	60min	2h	3h	5h	8h	10h	20h
1.60V	960	788	648	604	477	364	342	200	149	102	69.3	60.6	31.7
1.65V	931	772	635	595	470	358	337	199	148	101	68.9	60.5	31.6

**NorBat CFPV-GEL single cell****OPzV Series**

1.70V	893	748	616	580	458	349	328	197	147	100	68.7	60.3	31.4
1.75V	854	730	601	568	449	342	322	195	146	99.7	68.3	60.1	31.3
1.80V	806	703	579	551	435	332	312	193	144	98.5	67.6	59.7	31.2
1.85V	758	681	561	535	422	322	303	190	142	97.1	66.7	59.2	31.0